

# TLP 1000TV

10" TABLETOP  
TOUCHLINK™ TOUCHPANEL



- ▶ 10" color touchscreen with 1024x600 resolution and 18-bit color depth
- ▶ Full-Motion Video display supports preview and monitoring applications
- ▶ Integrated Ethernet port compatible with IP Link control processors
- ▶ Power over Ethernet allows the touchpanel to receive power via the Ethernet connector
- ▶ Built-in speakers provide audio for the full-motion video preview and audible feedback from button presses
- ▶ Energy-saving features:
  - Adjustable sleep timer puts touchpanel into sleep mode
  - Motion detector wakes touchpanel
- ▶ Automatic clock synchronization with controller for accurate time/date display
- ▶ Weighted base allows up to 45° of tilt
- ▶ Sits on a tabletop or installs on a VESA mount
- ▶ GUI Configurator software for template-based touchscreen layout design
- ▶ Easy control system setup using included Global Configurator software
  - no programming required

The Extron TLP 1000TV is a configurable 10 inch tabletop TouchLink Touchpanel featuring a high resolution 1024 x 600 display and a contemporary, thin bezel design. An integrated MTP twisted pair receiver accepts S-video or composite video and audio input signals over standard CAT 5 cable. Power over Ethernet - PoE allows the touchpanel to receive power via the Ethernet connector instead of an attached power source. The TLP 1000TV is ideal for a wide variety of applications that require a large screen, tabletop or VESA touchpanel with flexible connectivity and advanced control capabilities.



**Extron® Electronics**  
INTERFACING, SWITCHING AND CONTROL

## DESCRIPTION

The **TLP 1000TV** is a configurable 10" Tabletop TouchLink Touchpanel. The large, high resolution display is ideal for sophisticated user interface designs, providing more screen area for additional controls and graphics, without sacrificing clarity. The scalable video preview window displays content from composite or S-Video sources via the integrated MTP receiver.

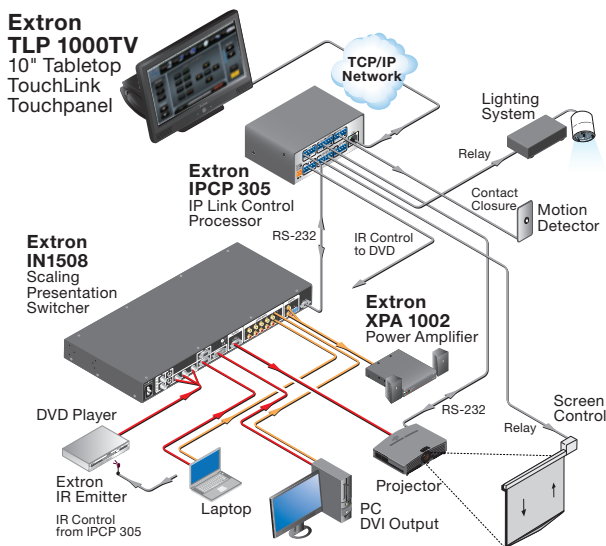
The TLP 1000TV works in conjunction with any Extron IP Link® control processor and is designed for use in AV system applications that require complete, interactive control of conferencing systems, displays, switchers, and other devices. The TLP 1000TV and IP Link Control Processors communicate using a standard Ethernet network, allowing utilization of existing infrastructure, or easy installation with cost-effective CAT 5 cable.

GUI Configurator software makes configuration of the touchpanel easy, with no graphic design skills required. This software offers ready-to-use templates for single display rooms, dual display rooms, divisible rooms, multi-image systems, and video conference suites. These designs may be used as is, or customized for the application by simply changing individual graphic elements.

## KEY FEATURES

- ▶ **10.1" color touchscreen with 1024x600 resolution and 18-bit color depth**
- ▶ **Full-Motion Video display supports preview and monitoring applications**
- ▶ **Integrated Ethernet port compatible with IP Link control processors**
- ▶ **Power over Ethernet allows the touchpanel to receive power via the Ethernet connector**

## APPLICATION DIAGRAMS



## SPECIFICATIONS

DISPLAY					
Screen type	Active matrix TFT color display				
Size	10.1" (25.7 cm), measured diagonally				
Resolution	1024x600				
Aspect ratio	Widescreen				
Color depth	18 bit, 256k colors				
Contrast	500:1				
Viewing angle	±70° horizontal, +50°/-60° vertical				
MEMORY					
SDRAM	128 MB for graphics processing 8 MB for system use				
Flash	32 MB for project storage 16 MB for system use				
CONTROL – ETHERNET INTERFACE					
Ethernet data rate	10/100Base-T, half/full duplex with autodetect				
Ethernet protocol	ICMP, IP, TCP (control), UDP, DHCP, Telnet				
VIDEO INPUT — see S-video or composite video MTP transmitters' specifications					
Number/signal type	1 proprietary analog signal from an Extron MTP AV transmitter				
AUDIO INPUT — see S-video or composite video MTP transmitters' specifications					
Number/signal type	1 stereo, balanced/unbalanced, line level, as part of a set of proprietary signals from an Extron MTP				
Connector	1 female RJ-45 (shared with video input)				
AUDIO OUTPUT					
Speaker output	2 mono, 86 dB SPL, 0.1 watt, 0.1 m, half space				
Playback format(s)	WAV files: 8 bit PCM, mono, 8 kHz sampling				
GENERAL					
Power	Supplied by an included power over Ethernet (PoE) adapter or by an optional external 12 VDC, 1 A power supply				
Temperature/humidity	Storage: -13 to +140 °F (-25 to +60 °C) / 10% to 90%, noncondensing Operating: +32 to +122 °F (0 to +50 °C) / 10% to 90%, noncondensing				
Mounting	Furniture or wall mount Set on tabletop or mount to optional VESA D 75 mm panel mount kit				
Adjustment ranges	Tilts through a 45° range				
Enclosure dimensions	7.2" H x 10.0" W x 7.3" D (18.2 cm H x 25.4 cm W x 18.6 cm D) (Includes base. Total height depends on screen tilt. See the following diagrams.)				
Product weight	5.2 lbs (2.4 kg)				
Regulatory compliance	Safety: CE, c-UL, UL EM/EMC: CE, C-tick, FCC Class A, ICES, VCCI Environmental: Complies with the applicable requirements of RoHS and WEEE.				
MTBF	30,000 hours				
Warranty	3 years parts and labor; touchscreen display and overlay components are covered for 1 year				
Model	TLP-1000TV	Version Description	Tabletop	Part number	60-1104-02

For complete specifications, please go to [www.extron.com](http://www.extron.com)  
Specifications are subject to change without notice.



**Extron USA - West**  
Headquarters  
+800.633.9876  
Inside USA / Canada Only  
+1.714.491.1500  
+1.714.491.1517 FAX

**Extron USA - East**  
+800.633.9876  
Inside USA / Canada Only  
+1.919.863.1794  
+1.919.863.1797 FAX

**Extron Europe**  
+800.3987.6673  
Inside Europe Only  
+31.33.453.4040  
+31.33.453.4050 FAX

**Extron Middle East**  
+971.4.2991800  
+971.4.2991880 FAX

**Extron Asia**  
+800.7339.8766  
Inside Asia Only  
+65.6383.4400  
+65.6383.4664 FAX

**Extron Japan**  
+81.3.3511.7655  
+81.3.3511.7656 FAX

**Extron China**  
+400.883.1568  
Inside China Only  
+86.21.3760.1568  
+86.21.3760.1566 FAX